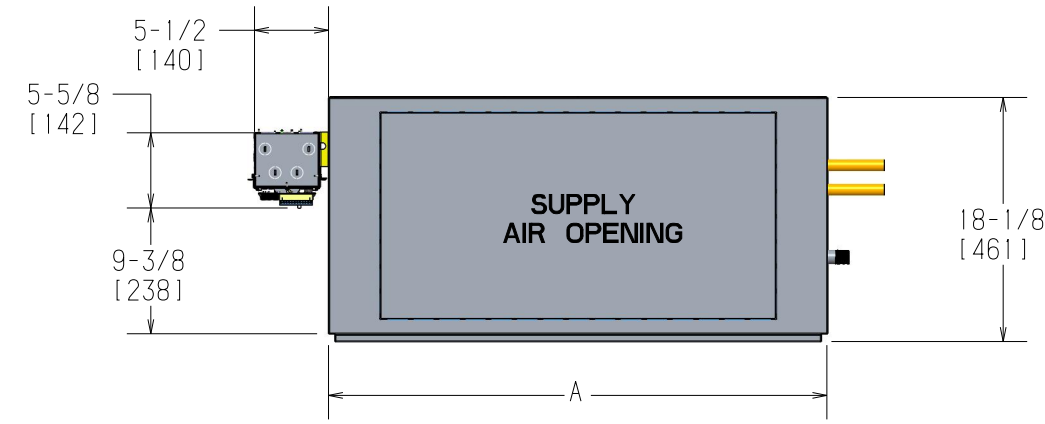
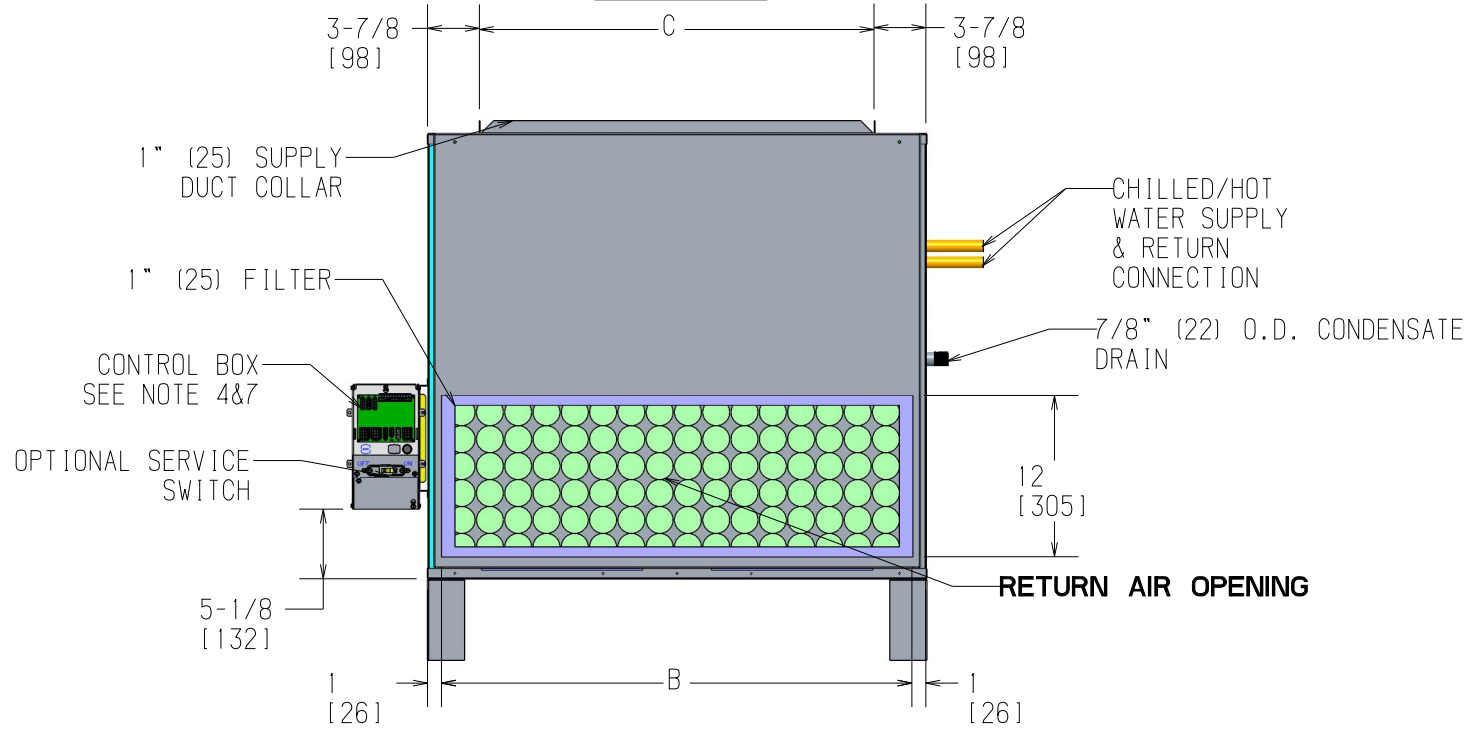


REVISION HISTORY		
REV	DATE	ECN
-	03/11/21	21-0295

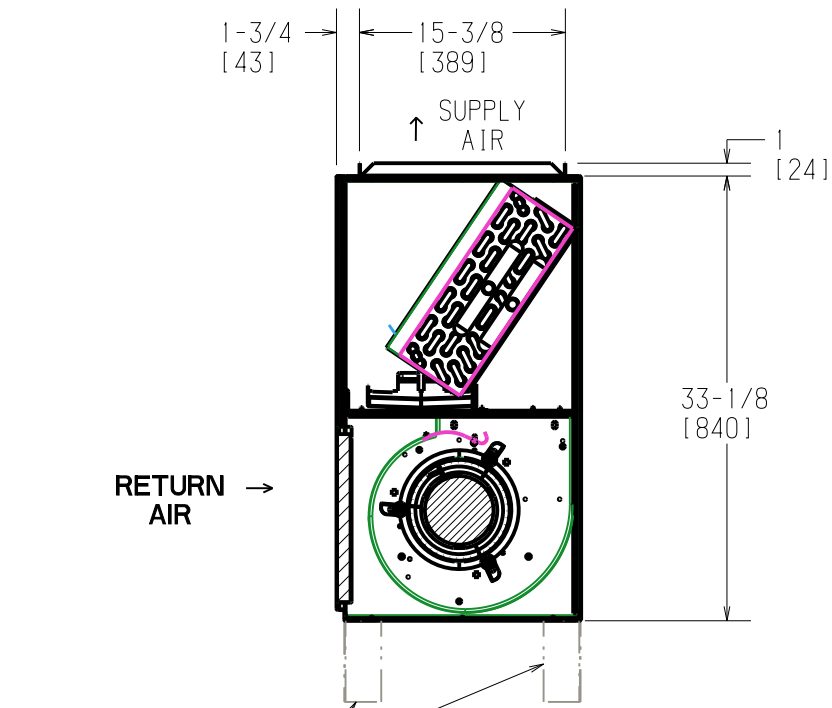


**TOP VIEW**



**FRONT VIEW**

- NOTES:
1. RH COIL SHOWN. LH OPPOSITE.
  2. ALL DIMENSIONS ARE +/- .25 (6). DRAWING NOT TO SCALE.
  3. PRODUCT SPECIFICATIONS ARE SUBJECT TO CHANGE WITHOUT NOTICE.
  4. CONTROL BOX SIZE AND POSITION MAY VARY (CONSULT FACTORY)
  5. POSITION MAY VARY.
  6. SERVICE ACCESS IS LOCATED ON THE FRONT OF THE CONTROL BOX.
  7. KNOCKOUTS ON THE BOTTOM AND SIDE OF THE CONTROL BOX FOR INCOMING POWER CONNECTIONS



**RIGHT SIDE VIEW**

Unit Model	Dimensions - Inches (Millimeters)			Quantity/Unit	
	A	B	C	Blower	Motor
VEY 06	23 (584)	21 (533)	15 (381)	1	1
VEY 08	28 (711)	26 (660)	20 (508)	1	1
VEY 10	32 (813)	30 (762)	24 (610)	1	1
VEY 12	37 (940)	35 (889)	29 (737)	2	2
VEY 14	42 (1067)	40 (1016)	34 (864)	2	2
VEY 16	47 (1194)	45 (1143)	39 (991)	2	2
VEY 18	52 (1321)	50 (1270)	44 (1118)	2	2
VEY 20	56 (1422)	54 (1372)	48 (1220)	2	2

TITLE			
HIGH PERFORMANCE VERTICAL CASED TOP SPLY			
DWC NO			REV
<b>1100-90044291</b>			-
DRAWN	DATE	APPROVED	DATE
J. FUSON	03/20/12	J.GRAVES	03/20/12